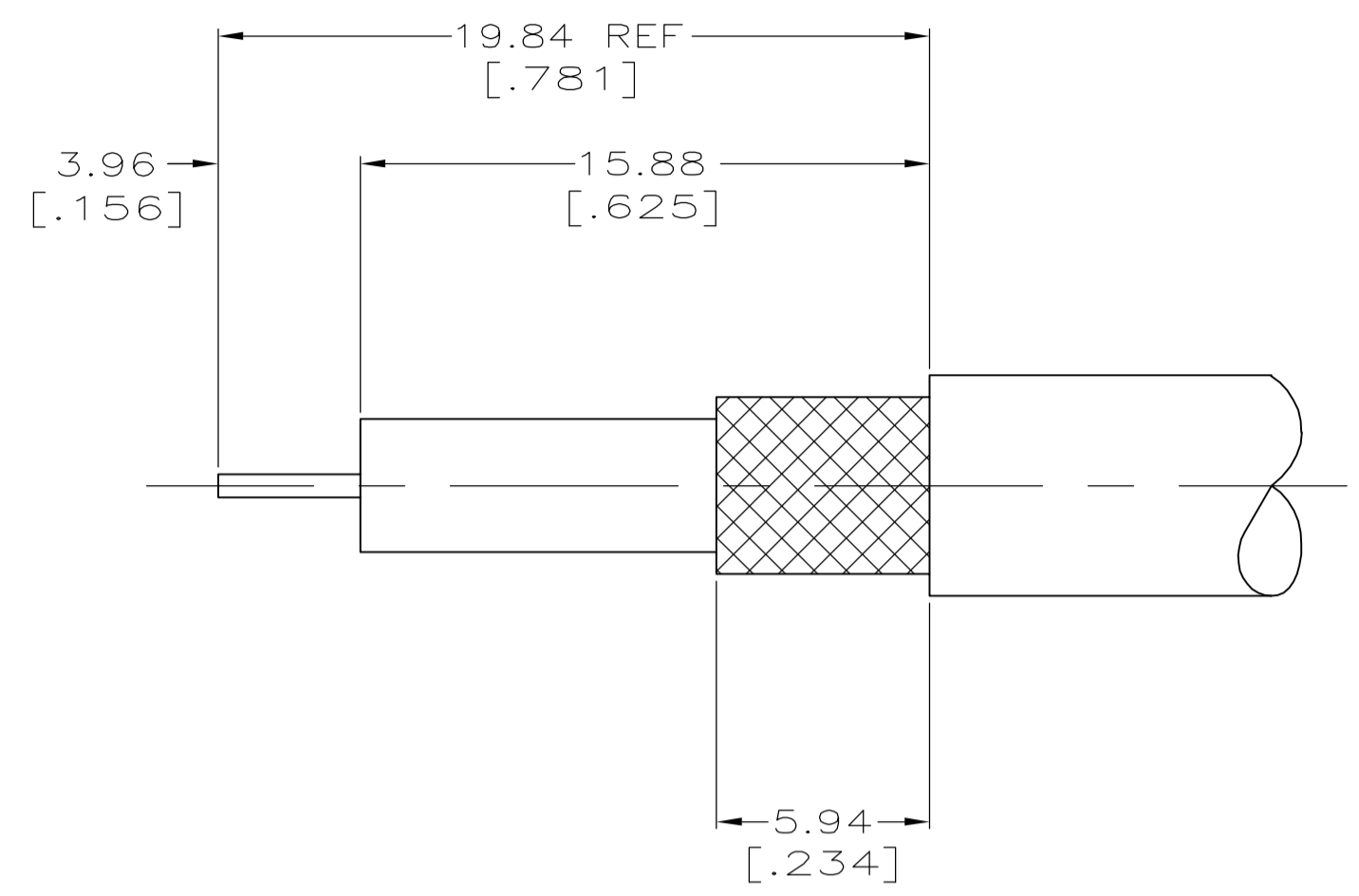
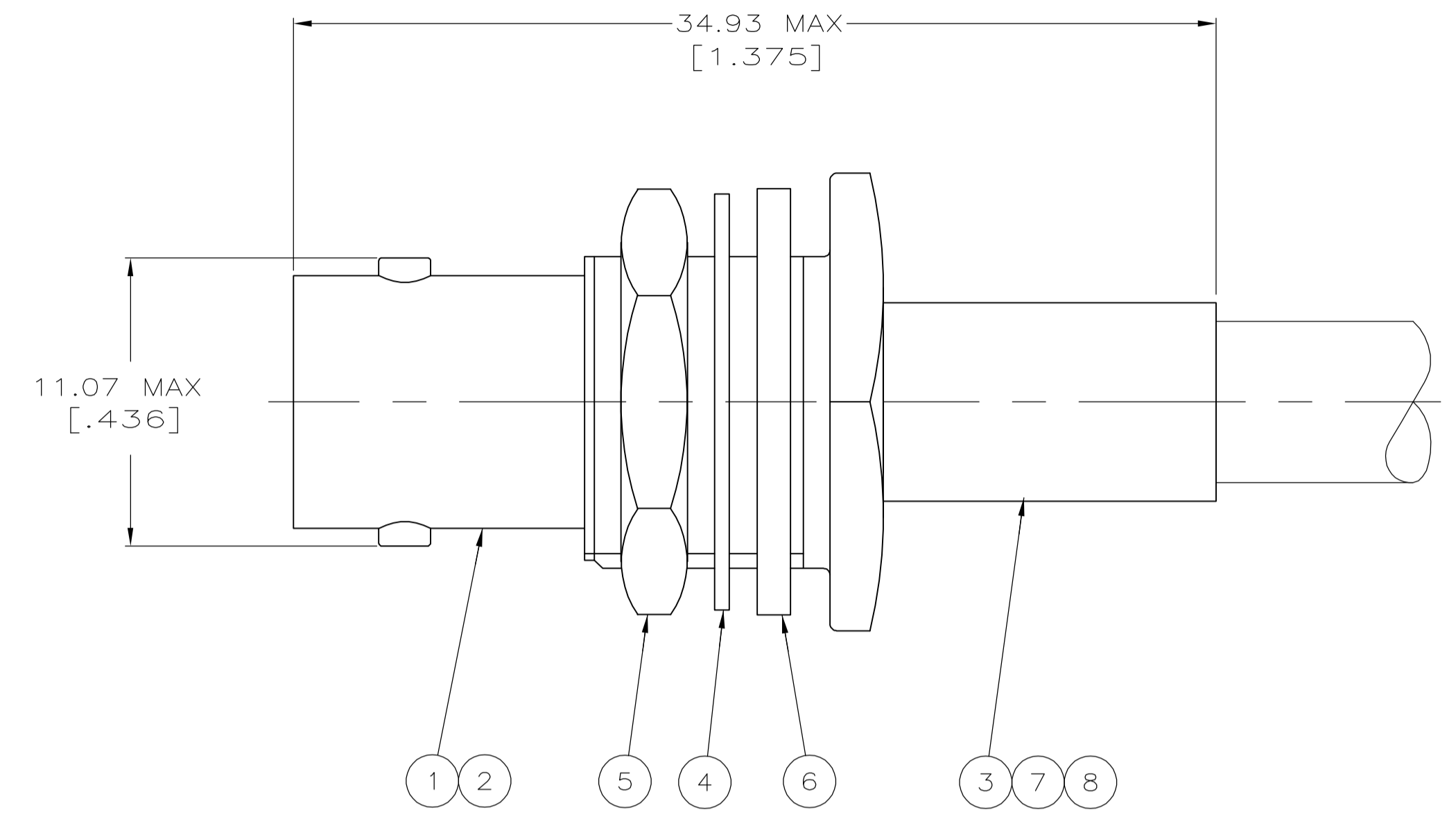
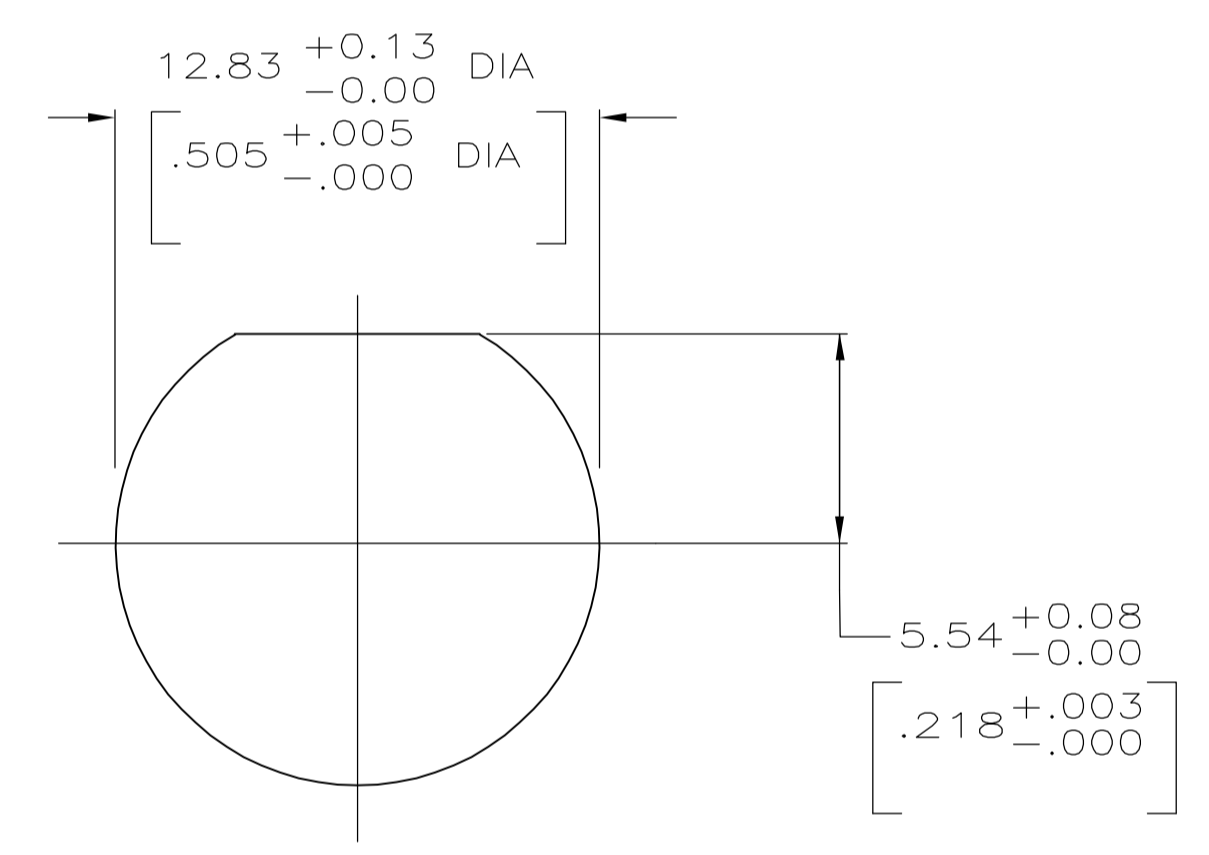


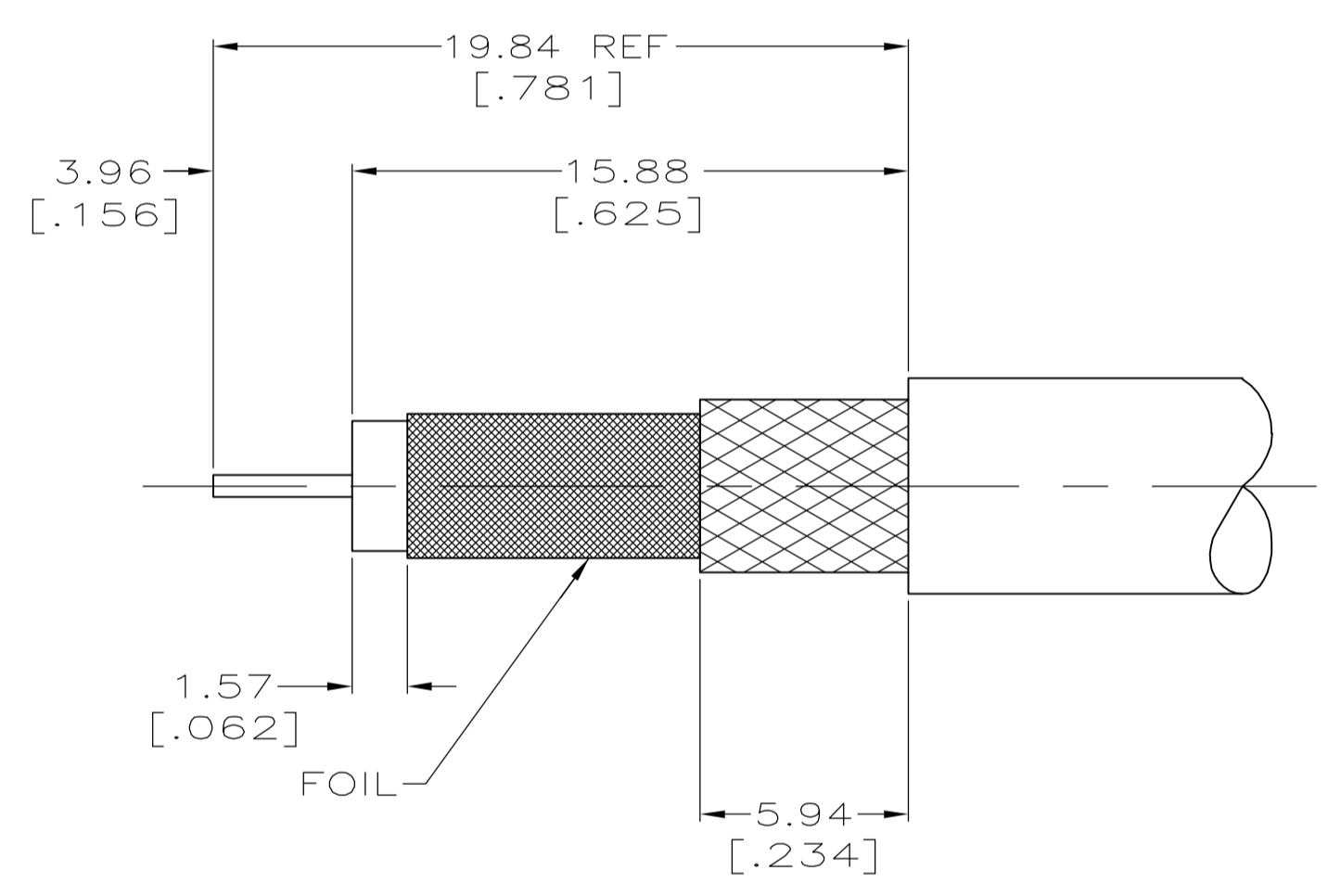
- USE INSTRUCTION SHEET 9089
- MAXIMUM PANEL THICKNESS: 6.10 [.240]
- DIELECTRIC MUST WITHSTAND A 6 POUND PUSHOUT FORCE
- PACKAGED 1 CONNECTOR PER BAG
- USE CRIMP TOOL: 220190-1



RECOMMENDED STRIP LENGTH



RECOMMENDED PANEL CUTOUT



RECOMMENDED STRIP LENGTH FOR 221221-9 ONLY

OBSOLETE	RG-59/U, 59A/U, 59B/U	58085-1	-	-	329633	1-329631-2	1-329632-2	9-50428-0	221200-3	221255-2	9-221221-0
OBSOLETE	RG-179/U, 179A/U, 179B/U, 187/U, 187A/U	58304-1	227194-2	222001-6	329633	1-329631-2	1-329632-2	9-328666-0	2-221200-0	221255-3	1-221221-0
OBSOLETE	AT&T 735A	58174-1	-	-	329633	1-329631-2	1-329632-2	9-328666-2	221200-9	221255-3	221221-9
OBSOLETE	CUSTOM CABLE: (C&M CABLE 25785)	58304-4	-	-	329633	1-329631-2	1-329632-2	3-328666-6	221200-6	221255-4	221221-8
	BELDEN 9240, 9259, 9266	58085-1	-	-	329633	1-329631-2	1-329632-2	9-50428-0	2-221200-5	221255-2	221221-7
OBSOLETE	RG-59/U, 59A/U, 59B/U	58085-1	-	-	329633	1-329631-2	1-329632-2	9-50428-0	221200-3	221255-2	221221-6
	RG-179/U, 179A/U, 179B/U, 187/U, 187A/U	58304-1	227194-2	222001-6	329633	1-329631-2	1-329632-2	9-328666-0	2-221200-0	221255-3	221221-5
OBSOLETE	BELDEN 8218	58174-1	-	-	329633	1-329631-2	1-329632-2	9-329461-0	221200-9	221255-3	221221-3
	RG-59/U, 59A/U, 59B/U	58085-1	-	-	329633	1-329631-2	1-329632-2	9-50428-0	221200-3	221255-2	221221-2
	BELDEN 9248 AND MADISON 18AWG	58086-1	-	-	329633	1-329631-2	1-329632-2	9-50427-0	3-221200-2	221255-1	221221-1
	CABLE	DIE SET	⑧ TUBING, PLASTIC QTY=1	⑦ TUBING, METAL QTY=1	⑥ GASKET QTY=1	⑤ JAM NUT QTY=1	④ LOCK WASHER QTY=1	③ FERRULE QTY=1	② CONTACT QTY=1	① JACK ASSEMBLY QTY=1	PART NUMBER

THIS DRAWING IS A CONTROLLED DOCUMENT.

DIMENSIONS: mm [INCHES]	TOLERANCES UNLESS OTHERWISE SPECIFIED:	DWG BY: SCOTT 1-16-91	CHK: J. LIPPERT 1-25-91	APVD: M. PHILLIPS 1-25-91	NAME: JACK, BULKHEAD, 75 OHM, BNC
0 PLC ± -	1 PLC ± -	2 PLC ± 0.41 [016]	3 PLC ± -	4 PLC ± -	ANGLES ± -
MATERIAL: -	FINISH: -	WEIGHT: -	SCALE: 5:1	SHEET: 1 OF 1	REV: T1

CUSTOMER DRAWING